

ST90A/GPX External-Mount Temperature Transmitter

Characteristics

- * Non-intrusive design eliminates the need to drill into the pipe
- * Easy to install mounting bracket is locked into place with 2 bolts
- * Large stand-off height enables installation with or without piping insulation
- * Spring loaded sensor guarantees constant pipe contact
- * Standard and customized brackets regardless of pipe size
- * Installation and maintenance with zero down time



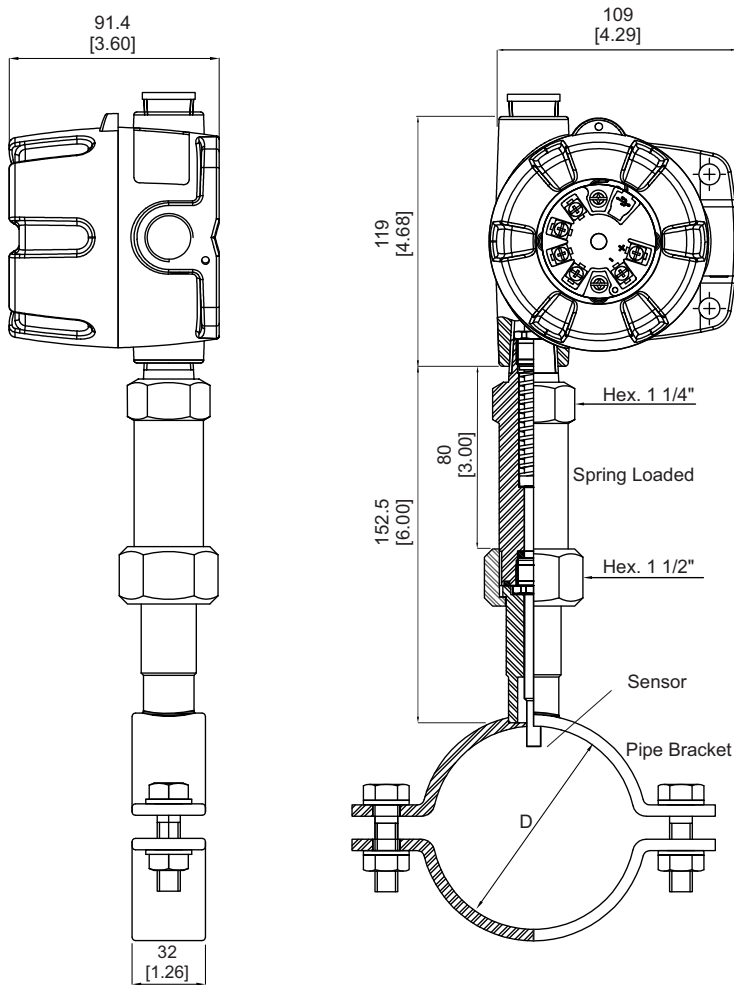
Description

The ST90A with pipe mounting bracket provides reliable surface temperature measurement of pipe fluid without having to shut down the process, drill into the pipe, install a thermowell or worry about future leaks and maintenance shutdowns.

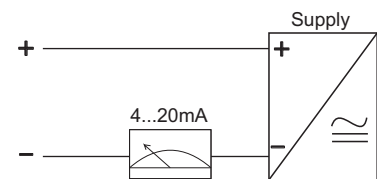
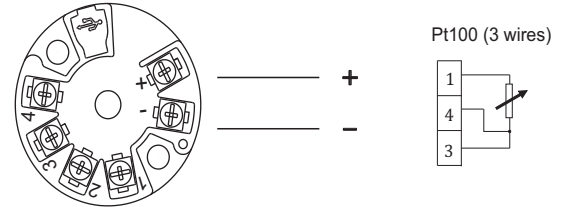
Sitron's ST90A temperature transmitters utilize high purity platinum wire resistance sensors encapsulated in a ceramic insulation. The transmitter transforms the thermal resistance value into a mA output that is directly proportional to the temperature at the point of measurement.

The ST90A offers complete construction in 316 stainless steel with aluminum explosion proof housings, and temperature ranges up to 200° C. The pipe mounting brackets are available in a wide range of sizes with customized units upon request.

Dimensions (mm/inches)



Wiring Diagram



Technical Specifications

ST90A GPX

Power Supply: DC: 7.5~45 V

Consumption: 22mA

Output: 4~20mA (2 wires) + HART communication

Sensor type: Pt100 RTD

Measuring Range: -100 to 200°C

Accuracy: 0.25% F.S

Response time: 1s

Adjust: Via HART protocol

Load (Zin): $R_{max} = [(V_{in} - 7.5) / 22mA]$

Resolution: 1uA

Protection: Polarity reverse

Electromagnetic Compatibility(EMC): Interference immunity and interference emission according to GB/T17626.2-1998, compliance with IEC 61000-4-3:1995

Housing: Aluminum painted (blue) with glass viewing window

Electrical Connection (cable entry): 1/2" NPT

Process Connection: BSP, NPT (other specify)

Body Material: 316SS

Clamp Material: 304SS

Work Temperature ambiente: -10 to +70°C

Max Pressure: 10 bar

Class Protection: IP66

Approvals EX proof Housing:

FM: Explosion-proof for Class I, Division 1, Groups B, C and D; dust ignition-proof for Class II/III, Division 1, Groups E, F and G, hazardous (classified) locations, indoors and outdoors (Type 4X/IP66)

CSA: Explosion-proof for Class I, Division 1, Groups B, C and D; dust ignition-proof for Class II/III, Division 1, Groups E, F and G, hazardous (classified) locations, indoors and outdoors (Type 4X/IP66)

ATEX: II 2 G D, Ex d IIC, Ex tD A21, IP68, Ta = -40°C to +85°C

IEC EX: Ex d IIC, Ex A21 tD, IP68, Ta = -40°C to +85°C

Order Code

