

## VTK R Tuning Fork Point Level Detection

### Characteristics

- Explosion-proof housing (EX d)
- Robust with no moving parts
- Corrosion Resistant 316 SS Body
- Forks can be Halar coated for corrosive media
- Un-affected by either the dielectric or the conductivity of the medium
- Protection Class IP66 (IEC 60529)
- Signal Output.
  - Relay NO + NC
- Protection:
  - Reverse Polarity
  - Voltage Surge
  - Electromagnetic Interference
- Various types of process connections:  
Thread, Flange and Sanitary
- Viewing window for visual indication of LED status



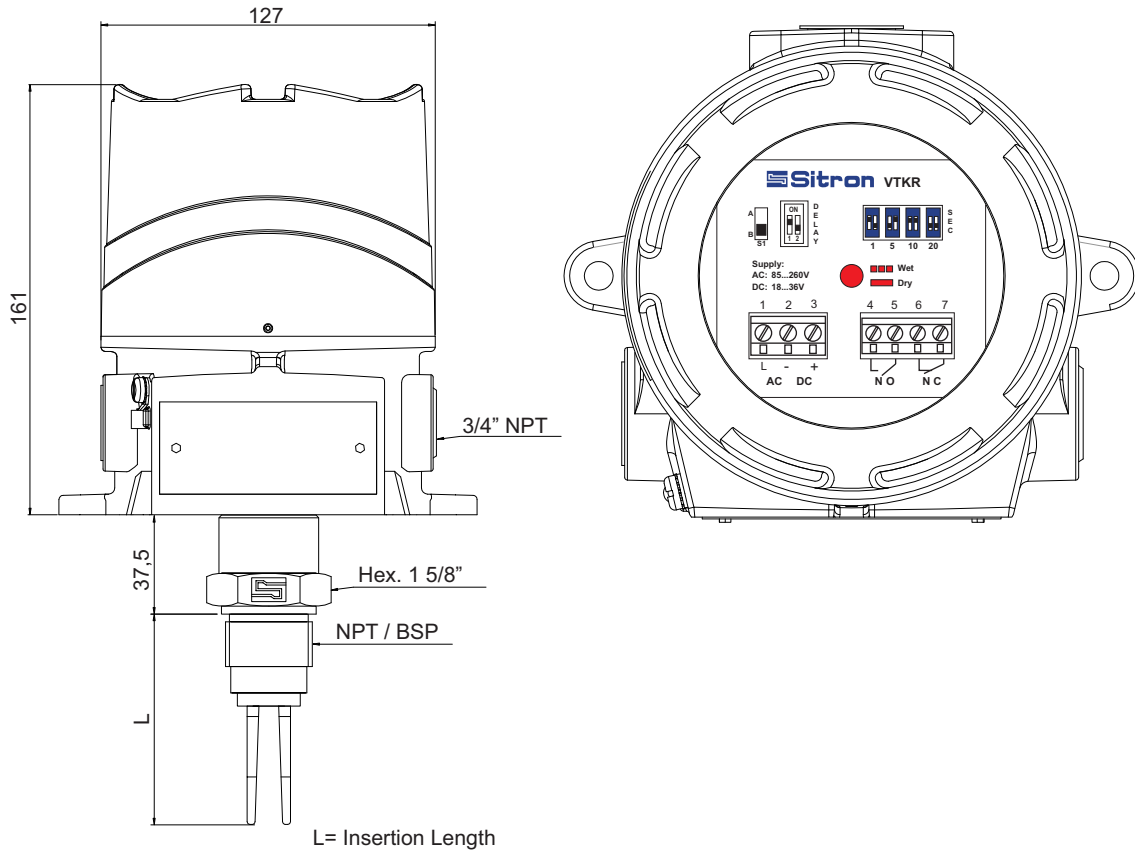
### Description

Sitron VTK R series of vibrating tuning forks are an ideal solution for many point level detection applications because they are unaffected by either the dielectric or the conductivity of the medium. When the tuning fork is submerged in the medium the frequency at which it vibrates changes. This change is detected by the unit's electronics and is converted into a switch output, relay. Users around the world have come to depend on this technology as one that is easy to apply and very reliable.

All models are made in 316 Stainless Steel, can be ordered with a great variety of threaded, flange, or hygienic fittings, are available with Halar or epoxy coatings. All models (except the mini-versions) have a time delay adjustment of 1, 5, 10 or 20 seconds as well as a Wet/Dry selection for both High and Low level application requirements.

The GX comes standard with a glass window which enables visualization of LED switch status. The GX housing comes with the following certifications: UL, CUL, IECEX and ATEX for installation in hazardous environments.

## Dimensions (mm)



## Technical Specifications

### VTKR-X-X-X-X-GX

**Application:** Level detection for Liquids

**Supply:** DC: 18...36Vdc ( $\pm 10\%$ )

AC: 85...264Vac (50/60hz)

**Consumption:** DC < 20mA / AC < 35mA.

**Output:** Relay NO + NC (5A - 250Vac)

**Accuracy:**  $\pm 0.1\%$

**Repeatability:** < 0.5mm

**Delay:** 1 to 20 sec (adjustable)

**Set point:** 13mm from tip

**Housing:** Aluminum GX with glass viewing window

**Viscosity:** 0.5...5000 cSt

**Electrical Connection (cable entry):** 2 x 3/4" NPT

**Process Connection:** BSP, NPT, Flange or Sanitary

**Body material:** 316 SS (Halar coating for corrosive medium upon request)

**Work Temperature:** -10 to + 80°C

**Max Pressure:** 50 Bar

**Class Protection:** IP66

**Approvals EX proof Housing (Optional):** ATEX, DEMKO 07 ATEX 0622294,

0539 II 2 G EX d IIC Gb

0539 II 2 D Ex tb IIIC Db

IECEX

IECx UL 08.0005U

Ex d IIC Gb

Ex tb IIIC Db

**Classifications:** Class I, Div. 1, Groups B, C, D

Class II, Div. 1, Groups E, F, G

Class III

**NEMA Type 4X:** Class I Zone 1 AEx d IIC

Ex d IIC (canada)

## Order Code

MODEL							
VTKR							
SIZE							
4	3/4"						
5	1"						
6	1 1/2"	PROCESS CONNECTION TYPE					
7	2"	B	BSP				
9	3"	N	NPT				
Q	4"	D	FLANGE ANSI 150# - Carbon Steel Painted				
X	OTHER	E	FLANGE ANSI 150# - 316 SS				
		G	FLANGE ANSI 300# - Carbon Steel Painted				
		H	FLANGE ANSI 300# - 316 SS				
		K	FLANGE ANSI 150# - 304 SS				
		L	FLANGE ANSI 300# - 304 SS				
		T	TRI-CLAMP				
		X	OTHER - SPECIFY				
COATING							
		S	NONE				
		H	HALAR <sup>®</sup> Coated				
		E	EPOXY Coated				
		P	Polished				
		X	OTHER - SPECIFY				
INSERTION LENGTH							
L80	L=3 1/8" (80mm) - Standard						
L64	L=64mm - Standard (Sanitary connection)						
L	SPECIFY						
HOUSING							
		GX	Ex proof				
ELECTRICAL CONNECTION							
		9	3/4" NPT				
ACCESSORIES							
		A	Clamp				
		B	Sanitary Nipple - 1"BSP				
		F	O'ring seal for clamp				
		S	Sanitary Nipple - TC Connections				
		0	NONE				