

Sitron



STD-T

Temperature Transmitter with
Local LCD Display

STD-T Temperature Transmitter w/ Local LCD Display

Characteristics

- High flexibility for the requirements of industrial processes.
Wide variety of process connections
- Rugged with Aluminum and Corrosion resistant Stainless Steel body.
- 4...20mA (wire) + Hart protocol.
Easy integration into industrial networks
- Easy viewing by LCD Display.
Rotatable 330°
- Platinum Pt100 RTD sensor.
- Excellent electromagnetic compatibility (EMC).
- Accuracy, Stability and Repeatability.
- Measuring Range.
-100 to 200°C
- Class Protection IP66 (IEC 60529).
- Protection.
Reverse polarity,
Transient, Power surges



Description

The STD-T Temperature Transmitter is ideal for temperature control and measurement in industrial process.

With 5-digit multifunctional LCD display, it allow the user to view the measured variable in PV (process value), percentage and current in addition to having a permanent bargraph with real-time reading.

The STD transmitter provides 4...20mA analog current signal, can be remotely reconfigured usind Hart communication protocol.

It uses technology with Pt100 platinum sensor with great precision and stability.

All STD transmitter are made with an acrylic window on the cover that make the display always visible.

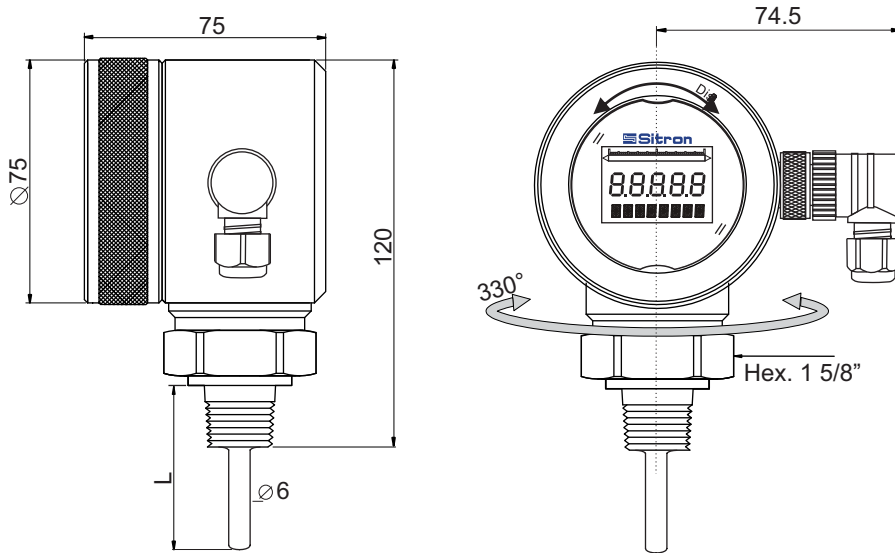
With excellent precision, stability and linearity, the STD-T is a great choice for demanding application

Specifications

Application:	Temperature Measurement and Control in Industrial Process
Power Supply:	12...45Vdc
Consumption:	Max. 22mA
Output Signal:	4...20mA (2 wires) with superimposed communication signal for HART protocol
Protection:	Reverse polarity / Power surge / Transient
Load:	$R_{max} = [(V_{max} - 7.5) / 0.022A]$
Electromagnetic Compatibility (EMC):	Interference immunity & interference emission according to (GB/T17626.2-1998), compliance with IEC 61000-4-3:1995.
EX- protection (optional):	EEx ia IIC T4-CT6
Galvanic Isolation:	V= 2000Vac Input/ Output
Accuracy / Stability / Repeatability:	0.1%
Work Temperature (Ambience)	-10 to 70°C
Storage Temperature	-10 to 100°C
Long Therm Stability:	+/-0.05% / Year
Delay on call:	+/- 5s
Response time:	+/- 1s
Load influence:	--
Power supply influence:	--
Auto stability:	0 to 2%
Filter :	0 to 160 μ A
Housing material:	316 S.S or Aluminum both with Acrylic window
Wetted parts:	316 S.S
Vedation:	Viton
Sensor:	Pt100 Platinum RTD
Process connection:	BSP / NPT / Flange / Sanitary / others
Electrical connection:	M12 connector
Range:	- 100 to 200 °C
Vibration:	2g /20 - 500Hz
Class protection (IEC 60529):	IP66 or IP67 (upon request)
Local Indicator:	Display w/ backlight - rotatable 330°/ 5 digits / 7 segments / 8mm
Range:	-9.9.9.9 to 9.9.9.9.9
Low range:	Linear drop up to 3.6 mA
Above range:	Linear rise up to 20.5 mA

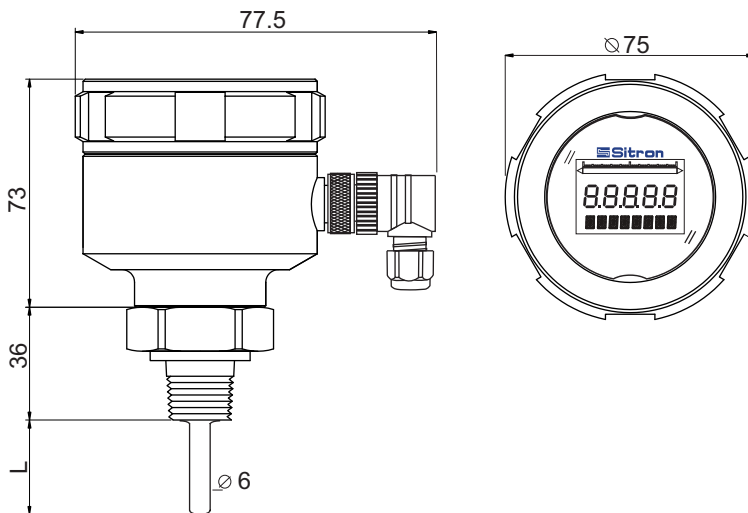
Dimensions (unit.: mm)

STD-T Display mounted at 90°



L = Insertion Length

STD-T Aluminum Housing

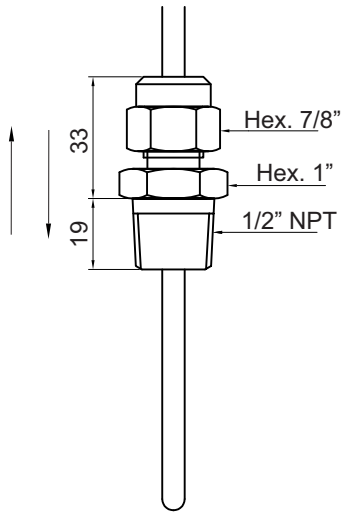


L = Insertion Length

Accessories

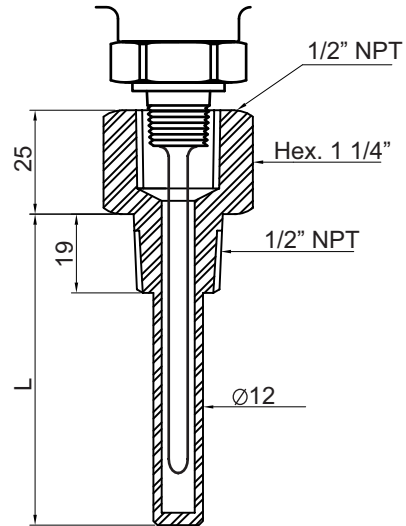
Adjustable Bucin

- Insertion Length Adjust



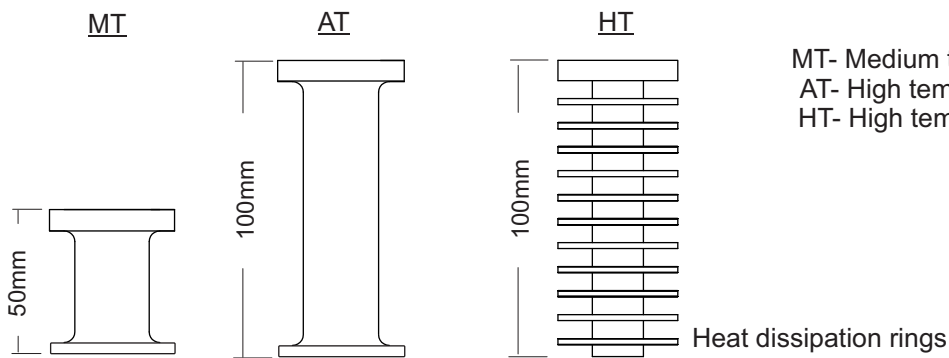
Thermowell

- Debris and suspended solids medium



L= Insertion Length

Extended Necks for High Temperatures

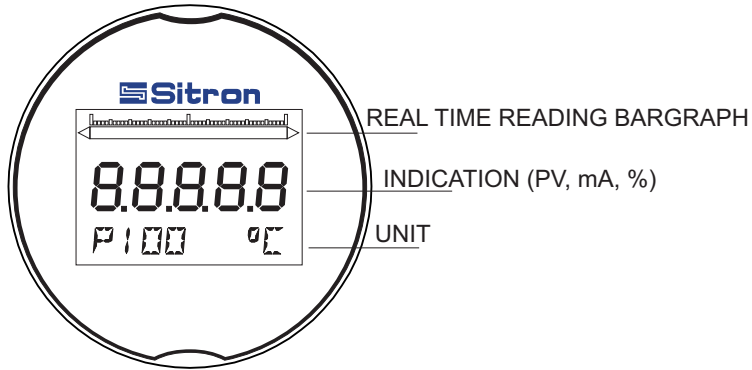


MT- Medium temperature (up to 120°C)
 AT- High temperature (up to 150°C)
 HT- High temperature (up to 250°C)

Process Connection

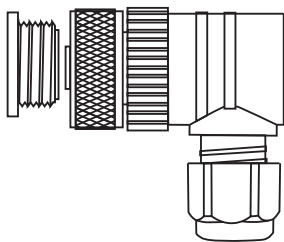
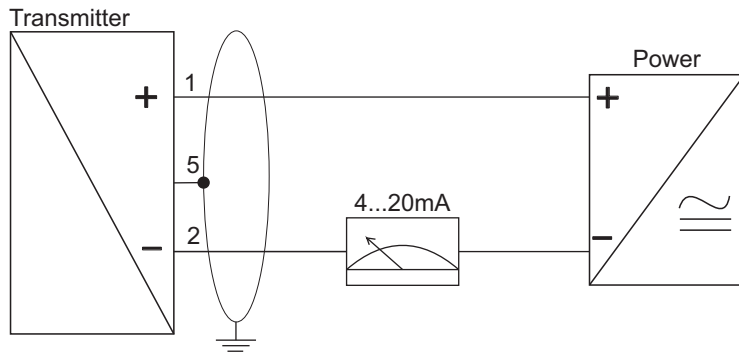
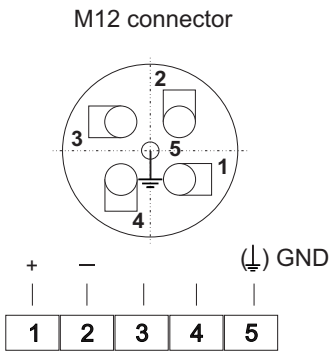
Rosca	BSP	NPT	SAE/UNO	Tri-Clamp	TC hygienic	Flange	ANSI 150#	ANSI 300#
STD	BSP	NPT	SAE/UNO	STD	TC connection Vedation Process connection	STD	FE	RE
			1.75°					

Display Overview

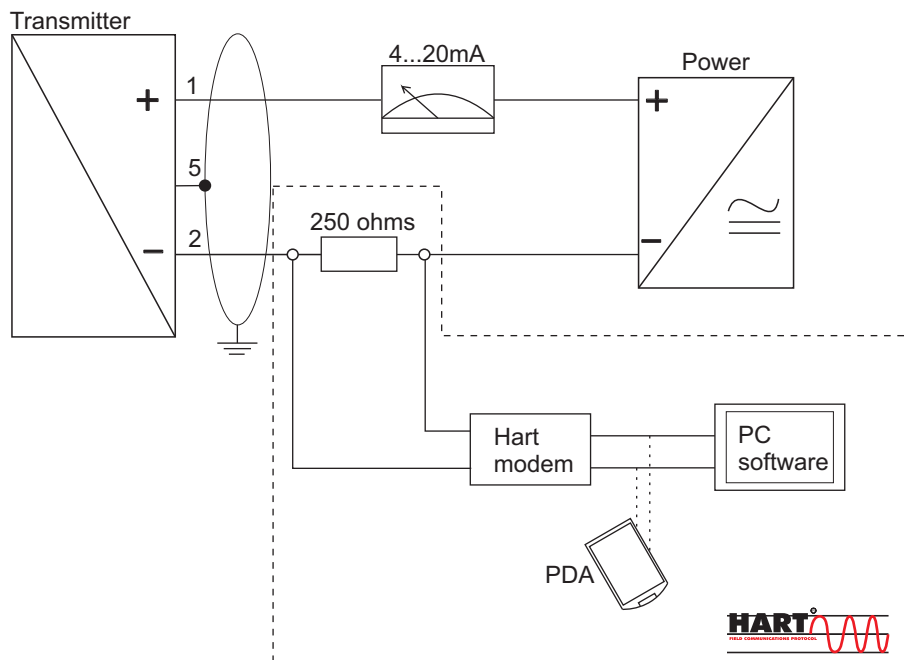


Electrical Connection

4...20mA (Standart)



4...20mA HART



Order Code

MODEL	
STD-T	
CONNECTION	
1	1/4"
2	3/8"
3	1/2"
4	3/4"
5	1"
6	1 1/2"
7	2"
9	3"
CONNECTION TYPE	
B	BSP
E	FLANGE ANSI 150# 316 SS
F	FLANGE ANSI 150# PVC
K	FLANGE ANSI 150# 346 SS
N	NPT
R	SMS F
S	SMS M
T	TRI-CLAMP
Y	DIN 316SS FEMALE
ROD TYPE	
0	None
A	316SS - 6.3mm (1/4")
B	316SS - 8.0mm (5/16")
C	316SS - 12.7mm (1/2")
X	Others
ROD LENGTH	
L	ESPECIFY
HOUSING	
A9	316SS / ACRILIC WINDOW / DISPLAY MOUNTED AT 90°
G3	ALUMINUM W/ EPOXY(BLUE) / ACRILIC WINDOW
ELECTRICAL CONNECTION	
M	M12 CONNECTOR
RANGE	
R	ESPECIFY
	WRITE DIRECTLY (e.g -10...100°C)
OPTIONS	
0	NENHUMA
A	CLAMP
F	CLAMP W/ O'RING
L	BSP/NPT GLOVE
S	NIPLE SANITARY NIPLE (TRI-CLAMP CONNECTION)
MT	MEDIUM TEMPERATURE - Neck L=50mm (up to 120°C)
AT	HIGH TEMPERATURE - Neck L=100mm (up to 150°C)
HT	HIGH TEMPERATURE - Neck L=100mm (up to 250°C)
H	HART
X	OUTHERS - especify

ACESSORY SPECIFICATIONS	
P1	316SS THERMOWELL
BC	AJUSTABLE BUCIN
CONNECTION	
3	1/2" THREAD
4	3/4" THREAD
CONNECTION TYPE	
B	BSP
S	NPT
ROD LENGTH	
L	ESPECIFY (in mm) except bucin

Version: 01/17

Sitron - Brasil
 R. Baronesa de Itu, 83
 São Paulo - SP - 01231-001
 T: (5511) 3825-2111
 F: (5511) 3825-2171

Sitron - USA
 1800 Prime Place
 Hauppauge, NY 11788
 PH: 516-935-8001
 FX: 800-516-1656

www.sitron.com
 BRASIL: vendas@sitron.com
 USA / Other Countries: info@sitron.com