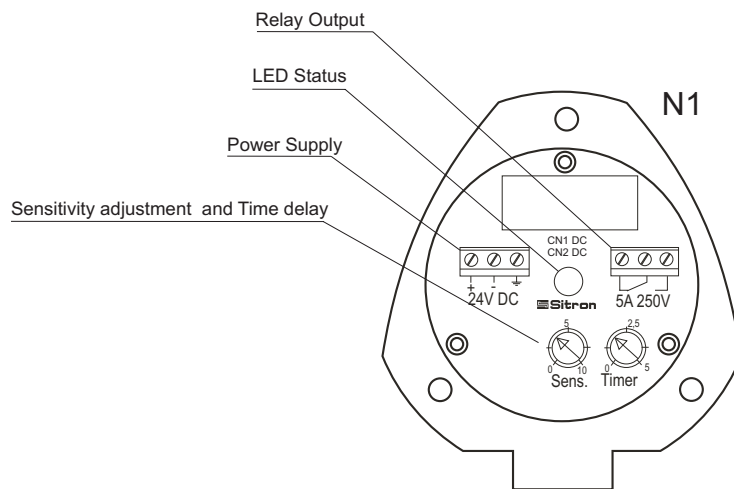


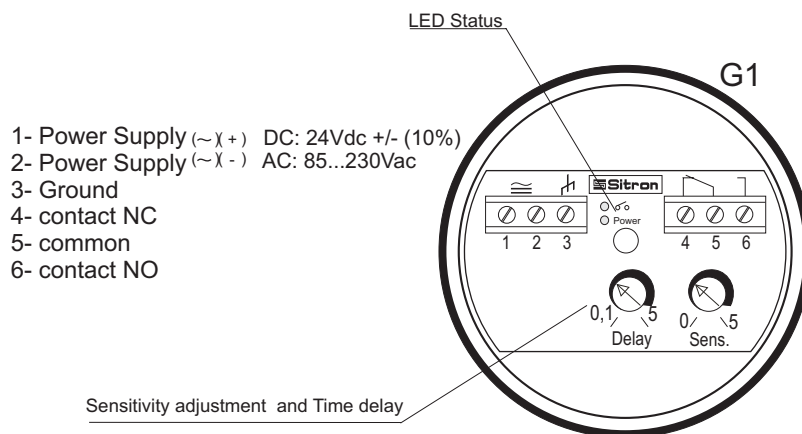
## Electrical Connections

Before Powering the unit up, make sure that the Power Supply is compatible with the voltage indicated on the identification tag of the equipment

### CN1 & CN2 - N1 Housing



### CN1 & CN2 - G1 Housing



## Electrical Connections

### Application

CN1- When the probe is connected, the LED lights Green. When the conductive medium reaches the electrode, the relay operates and the LED lights Red.

CN2- Control min. and max. level

When the conductive medium reaches the maximum level, the LED lights Red, turning lights Green after the conductive medium detects the rod or electrode.

